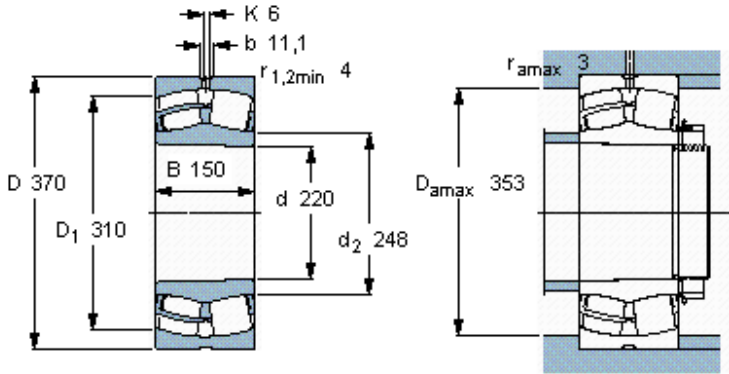


Spherical roller bearings, cylindrical and tapered bore

| Principal dimensions | | | Basic load ratings | | Speed ratings | | Designation |
|----------------------|-----|-----|--------------------|--------------|-----------------|----------------|--|
| d | D | B | dynamic C | static C0 | Reference speed | Limiting speed | |
| mm | | | kN | | r/min | | |
| 220 | 370 | 150 | 2197 | 3350 | 850 | 1200 | * SKF Explorer bearing 24144 CCK30/W33 * |



Tapered bore, taper
1: 30

Calculation factors

- e 0,4
- Y_1 1,7
- Y_2 2,5
- Y_0 1,6